



# technical specifications BQ211

## general

- Double-tuned, quarter-wave loaded high-impact subwoofer system
- 21" woofer with all-carbon cone for high pressure loading
- Large, rounded vent for improved breathing and low compression
- Force-ventilated 5.3" voice-coil for low power compression prolonged performance
- 15mm birch with extensive bracing brings lightweight yet rigid cabinet construction
- SIS pre-wired for very high damping and further reduced distortion (with ALC)
- Durotect™ flexible and scratch-resistant coating

## description

The BQ211 is a quarter-wave loaded subwoofer system, extending the low frequency response of Alcons' pro-ribbon systems, in both permanent and portable applications. Featuring a state-of-the-art 21" Neodymium transducer, this subwoofer is designed to offer maximum, prolonged high impact SPL performance from a relative small footprint. For this, the latest materials and innovations have been applied: A very large displacement transducer with all-carbon fiber cone + dust cap, 5.3" voice-coil with vented triple-spider frame plus optimized low resistance



impedance, and port-vented magnet structure to maximally reduce power compression.

The extensively internally-braced cabinet features double-tuned, high-pressure loading, through a rounded 236mm diameter low-tuned bass-reflex vent and a wide, high-tuned quarter wave tunnel. This provides optimised breathing at high SPLs, yet keeping the total system weight to a minimum.

Slider feet on cabinet bottom and side enable stacking of multiple BQ211's into vertical LF arrays: The additional front-positioned NL4 connector caters for easy "reverse connection" in cardioid arrays.

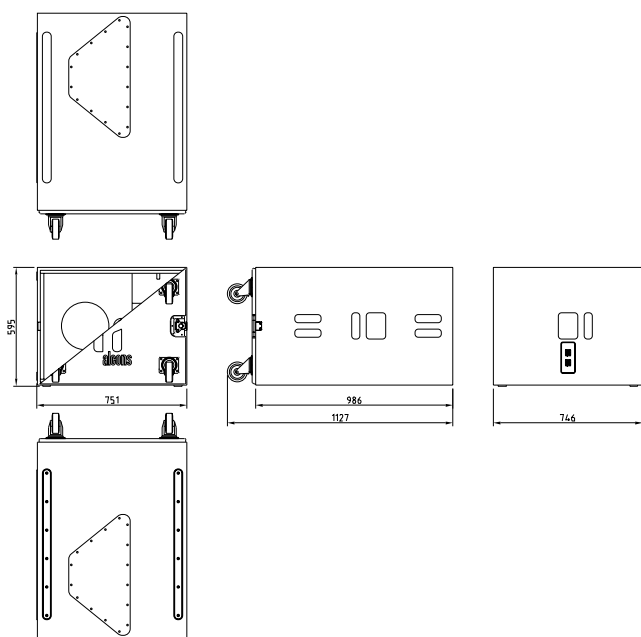
The BQ211 is powered and controlled by the ALC amplified loudspeaker controller; Through the SDP™ (Speaker Drive Processor) circuit, the ALC offers BQ211-specific drive processing with response optimisation, dedicated power and excursion protection, hybrid filtering and cardioid processing.

Through the SIS™ (Signal Integrity Sensing) circuit, the cable-length and connector resistance between the BQ211 and ALC is completely compensated (damping factor 10.000), further increasing response accuracy.

The quarter wave pipe principle in combination with a low tuning frequency, forms a true wideband subwoofer with high SPL performance down to the lowest frequencies.

Typical applications for the BQ211 include ground-stacked sub-bass extension of main sound systems, used in multiples depending on the application and sound pressure level / dispersion pattern control requirements.

## dimensional drawing



## technical specifications

Frequency Response	
+/- 3 dB	33 Hz - 150 Hz
+/- 10 dB	27 Hz -
Sensitivity (SPL 1W/M)	100 dB
Nominal Impedance	4 ohms
Recommended drive	ALC4 min., 1 pce. per channel (4 ohms)
SPL peak	135 dB (ALC 6), 140 dB (comparative)
Dispersion H x V	omni / (hyper)cardioid in array with processing

## physical specifications

System	subwoofer, bass-reflex + quarter wave pipe	
Driver LF	1 x AW21.6NDC/4 21", double vented	
Connectors	3 x Speakon NL4 input/link (rear), cardioid (front)	
Physical dimensions	mm	inches
Height	590	23.2
Width	749	29.4
Depth	986	38.8
Weight incl. dolly (approx.) BQ211	82 kg	(181 lb)
Weight (approx.) BQ211i	72 kg	(159 lb)
Warranty	6 years limited	

A: Alcons Audio B.V.  
De Corantijn 69  
1689 AN Zwaag  
The Netherlands

E: info@alconsaudio.com  
W: www.alconsaudio.com  
T: +31 (0)229 28 30 90  
F: +31 (0)229 28 30 99

*The BQ211 is available in standard version, or installation version.  
The BQ211i ("install") comes without handles, castor wheels and cover.*