



technical specifications CR2

general

- RBN601 pro-ribbon HF driver with exceptional intelligibility and high SPL output
- Ultra-shallow enclosure (25cm/10") for space economic mounting
- Extended headroom/SPL and protection in combination with SDP modules (with ALC)
- SIS pre-wired for very high damping and further reduced distortion (with ALC)
- Dispersion H 90° x V 40°
- Double baffle board with flush mount transducers
- Bi-amp filtering for economical powering

description

The CR2 is a 3-way sound system, designed to meet all requirements (and more!) of all current and future (digital) cinema sound formats.

Featuring the RBN601 ribbon driver (patents pending), two 8" mid-range drivers and a 15" woofer, the CR2 is ideal for applications where medium output, high quality cinema sound reproduction is needed. It is recommended for 100-300 seat theatres. The RBN601 is mounted on the unique "Hemp-Horn™" (made of composite materials with natural hemp fiber structures), resulting in a so-called "inaudible" waveguide, without the well-known "harsh horn sound".



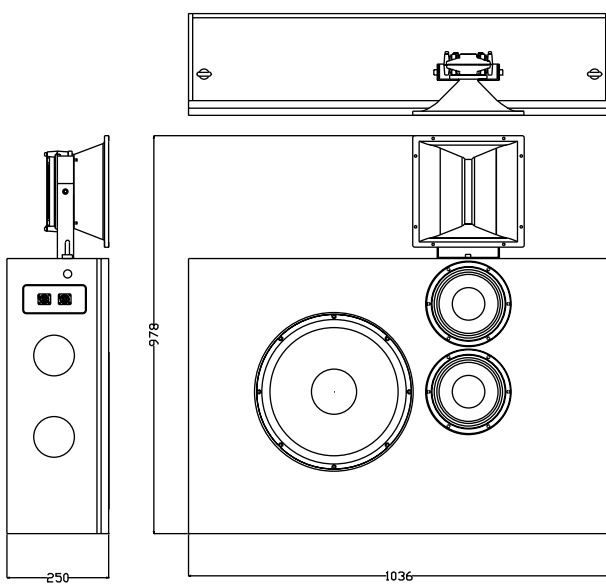
The system includes dedicated MF/HF filtering, with external system equalizing (electronically) fully utilizing the individual speaker components' power

capacity. This results in dramatically increased headroom SPL. The SIS pre-wiring ensures complete (long!) cable/connector compensation between CR 2 and ALC, significantly increasing response accuracy.

The ultra-shallow enclosure design provides for very flexible mounting in even the smallest spaces behind the screen. The shape also enables semi-flush wall-mounting.

For full system performance, we strongly recommend using the CR2 in combination with an ALC2 (or ALC4) amplifier/controller. Driven by the ALC, the CR2 delivers maximum sound quality with increased headroom under dedicated equalisation and inaudible (power and excursion) protection (SDP circuit).

dimensional drawing



technical specifications

Frequency Response	
+/- 3 dB	41 Hz - 20.000 Hz
+/- 10 dB	32 Hz
Sensitivity (SPL 1W/M)	LF 98 dB, MF/HF 98 dB
Sensitivity nominal	LF 98 dB, MF/HF 98 dB
Nominal Impedance	LF 4 ohms, MF/HF 4 ohms
Maximum power RMS / peak LF	450 watts / 1500 watts
MF/HF	560 watts / 1600 watts
SPL program / peak LF	124,5 / 130 dB
MF/HF	127 / 132 dB
Dispersion H x V	90° x 40° (nom.)

physical specifications

System	3-way, full-range	
Filtering	LF active, MF/HF passive	
Drivers LF	1 x AW15.3 15", vented	
Driver MF	2 x AMB8 8"	
Drivers HF	1 x RBN601 6"	
	pro-ribbon driver	
Cross-over frequencies	270 Hz / 1300 Hz	
Connectors	2 x Speakon NL4 input	
Physical dimensions	mm	in
Height	978	38.5
Width	1036	40.8
Depth	250	9.8
Weight (approx.)	57,5 kg	(126.5 lb)
Warranty	6 years limited	

A: Alcons Audio B.V.
De Corantijn 69
1689 AN Zwaag
The Netherlands

E: info@alconsaudio.com
W: www.alconsaudio.com
T: +31 (0)229 28 30 90
F: +31 (0)229 28 30 99