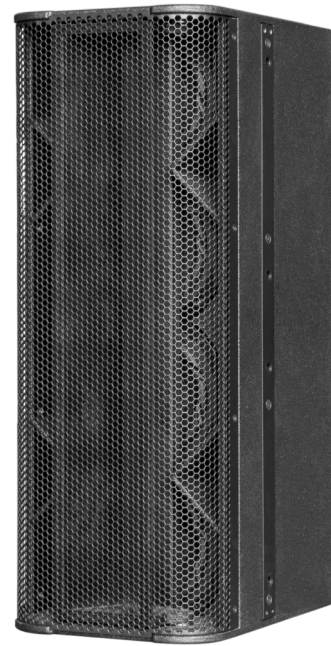




## technical specifications QM24

### general

- Modular scalable low-mid array system , for each size venue / application
- Forms high-output line-source arrays in combination with QR24
- All Neodymium drivers for excellent performance-to-weight ratio
- Passive filtering for easy operation and economical powering
- SIS™ pre-wired for very high damping and further reduced distortion
- Shallow form factor and ACO™ color option for unobtrusive, “stealth” installation



### description

The QM24 is a modular, limited bandwidth column loudspeaker to be used as low-mid array, for both permanent and (limited) portable installations. It is designed as low-mid frequency extension of the QR24 pro-ribbon line-source column array.

The QM24 “array-fill” module is applied in a multiple-QR array, where the direct HF reproduction/projection of a QR24 is not required, but where a (taller) uninterrupted LMF line-source array is desirable for extended frequency control and increased LMF throw.

The QM24 contains 4x 6.5” long-excursion woofers in a specific acoustical loading / reflex-venting configuration for high mid-bass frequency output. The tightly-spaced transducer arrangement operates well within line-array parameters, offering high projection accuracy with maximum side-lobe suppression.

This controlled (cylindrical) projection can be extended down to the lower frequencies by enlarging the array length through adding extra QR/QM modules.

The passive filtering allows multiple modules to be combined on one amplifier channel.

In combination with the QR24, very high output arrays can be formed for high-end sound reinforcement in acoustically challenging environments, where precise projection is required without compromising on sound quality, SPL and throw.

For full system performance, the QM24 is driven and controlled by the ALC amplified loudspeaker controller; Driven by the ALC, the QM24 delivers maximum sound quality and output power with long-term operation reliability. The integrated factory presets in the drive processor of the ALC offer gain,

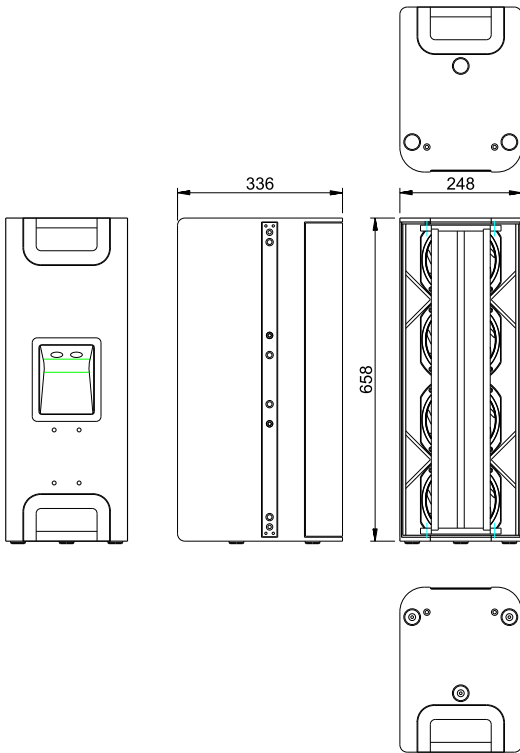
phase and filtering matching, as well as array-length correction in combination with the QR24 system.

The Signal Integrity Sensing™ pre-wiring ensures complete cable/connector compensation between the

QM24 and ALC, significantly increasing response accuracy of mid and bass frequencies. This offers a 1:1, undistorted natural sound reproduction, regardless of cable length and amplifier impedance load (up to 3 units QM24 per ALC channel).

## technical specifications QM24

### dimensional drawing



### technical specifications

Frequency response	74 Hz - 1kHz
	53 Hz - (+/- 10 dB)
Sensitivity nominal	101 dB (200 Hz - 1 kHz)
Nominal impedance	8 ohms
Recommended drive	Sentinel3 min.
Nominal SPL peak	127 dB (Sentinel3 200 Hz - 1kHz)
	132 dB (Sentinel10 200 Hz - 1kHz)
Dispersion H x V (array)	80° x depending on array length

### physical specifications

System	1-way, limited bandwidth	
Filtering	passive	
Drivers LF	4x AND65/8 Neodymium 6,5", vented	
Cross-over frequency	1100Hz	
Connectors	2x Speakon NL4 input/link	
Physical dimensions	mm	inches
Height	660	26.0
Width	250	9.8
Depth	337	13.3
Weight (approx.)	kg	lb
	17,5	38.6
Warranty	6 years limited	

A: Alcons Audio  
De Corantijn 10  
1689 AP ZWAAG  
The Netherlands

E: info@alconsaudio.com  
W: www.alconsaudio.com  
T: +31 (0)229 28 30 90