



technical specifications CR2

general

- RBN 601 pro-ribbon HF driver with exceptional intelligibility and high SPL output
- 1:1 non-compressed sound reproduction, with up to 90% less distortion
- SIS™ pre-wired for very high damping and further reduced distortion (with ALC)
- Ultra-shallow enclosure (25cm/10") for space economic mounting
- Bi-amp filtering for maximum output and single-amp filtering for economical powering
- Digital Cinema ready, with non-compressed reproduction and extended dynamic range



description

The CR2 is a compact 3-way sound system, designed to meet all requirements of all current and future (digital) cinema sound formats, for applications where medium output, high quality cinema sound reproduction is needed; It is recommended for cinema theatres with 100-300 seat theatres

Featuring the patented Alcons pro-ribbon driver technology, the CR2 offers a 1:1 reproduction of the original sound source; The absence of a "compression threshold", caters for the same tonal balance at all SPL's, while the combination of unprecedented low distortion with a very high 1:15 RMS-to-peak dynamic range delivers the most realistic cinematic experience possible.

The patented "Real-90" horizontal dispersion of the RBN601 pro-ribbon, mounted on a revolvable waveguide, widens the stereo experience "sweet-spot" for the off-axis seated audience significantly

The CR2 comprises in addition double 8" mid-bass for MF and a 15" woofer for LF reproduction. The ultra-shallow enclosure design of only 18cm/7-in. provides for very flexible mounting in even the smallest spaces behind the screen or as surround; Both for on-wall, or in-wall mounting, for which the CR2 is available with front-vented LF (FV).

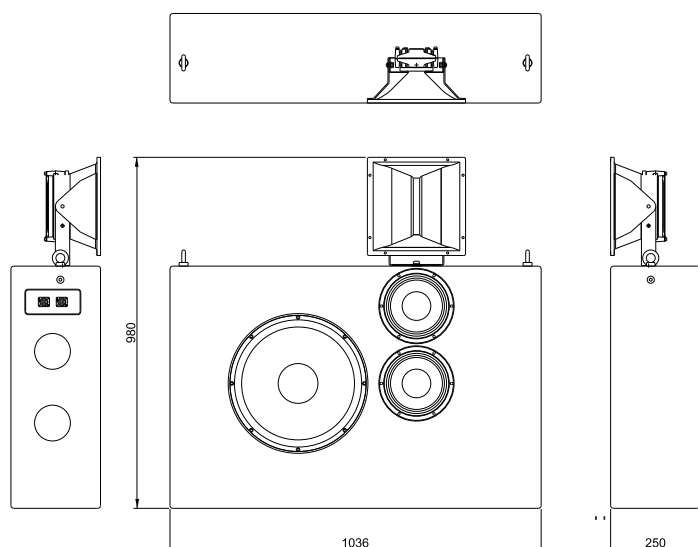
The low system impedance and fully passive-filtering configuration allows for a very economical power

package, where the CR2 is powered and controlled by one channel of an ALC amplified loudspeaker controller; For maximum output, the CR2 is also available in bi-amp configuration. Through the integrated drive-processing, the ALC offers response optimisation and dedicated protection.

Through the SIS™ (Signal Integrity Sensing) circuit, the cable-length and connector resistance between the CR2 and ALC is completely compensated (system damping factor > 10.000), for further increased accuracy and controlled cone-travel, resulting in a tighter mid and bass response.

technical specifications CR2

dimensional drawing



technical specifications

Frequency response	41 Hz - 20.000 Hz (+/- 3dB)
	32 Hz - (+/-10dB)
Sensitivity nominal	98 dB (200 Hz - 10 kHz)
Nominal impedance	4 ohms
	LF 4 ohms, MF/HF 4 ohms (bi-amp)
Recommended drive	Sentinel 3 min.
Nominal SPL peak	127 dB (single-amp), 130 dB (bi-amp)
	(Sentinel3 200 Hz - 10 kHz)
	132 dB (single-amp), 135 dB (bi-amp)
	(Sentinel10 200 Hz - 10 kHz)
Dispersion H x V	90° x 40° (line-source)

physical specifications

System	3-way full range	
Filtering	passive, LF active + MF/HF passive	
Drivers LF	1x AW15.3-4, 15", vented	
Drivers MF	2x AMD65ND 6.5", vented	
Drivers HF	1x RBN601 4" pro-ribbon driver	
Connectors	2x Speakon NL4 input/link	
Physical dimensions	mm	inches
Height	978	38,5
Width	1036	40,8
Depth	250	9,8
Weight (approx.)	kg	lb
	57,5	126,5
Warranty	6 years limited	

A: Alcons Audio
De Corantijn 10
1689 AP ZWAAG
The Netherlands

E: info@alconsaudio.com
W: www.alconsaudio.com
T: +31 (0)229 28 30 90