



# technical specifications CCS8

## general

- 8" woofer with 1" compression driver in co-axial configuration
- High power handling; 305 W continuous (AES)
- 90° conical dispersion
- Same tonal balance on both on- and off-axis
- Available in 2 different versions CCS8 and CCS8S
- Ideal for immersive ceiling surround or acoustical enhancement systems



## description

The CCS8 is a passive-filtered 2-way full range loudspeaker, designed for multi-channel acoustical enhancement and (immersive) surround applications. The CCS8 features a 8" high quality, bass-reflex-loaded woofer with a 2" voice-coil, placed in an optimally-tuned cabinet for extended low-frequency response.

The high-frequencies are taken care of by a 1"-exit compression-driver coaxially mounted on the woofer.

A high-quality passive 2-way crossover network matches the two components, allowing 305 W of continuous (AES) power input, making the CCS8 deliver exceptional performance from a relative compact sized system.

The coaxial speaker arrangement creates a true point-source catering for a very smooth LF/HF blending in all directions, both on-axis as well as off-axis. This is an ideal solution in ceiling-mounted surround applications.

The 10-degree slanted baffle design (CCS8) provides for a low profile in wall mounted applications. The enclosure design matches the Alcons surround aesthetics; Even in an assembled surround configuration of different systems, there is a consistent, unobtrusive appearance.

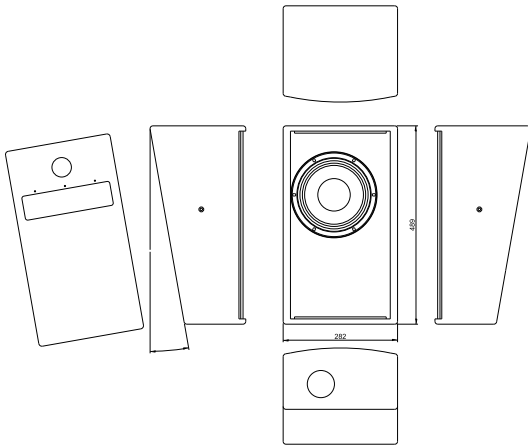
The CCS8 is also available with a straight, non-slanted ultra-shallow cabinet for ceiling-mounted applications (or when pre-tilt is not required) as CCS8S.

Multiple options are provided for ceiling and wall mounting; The CCS8 can be wall-mounted with the BRKCS8 tilt U-bracket or wall- and ceiling mounted with most commonly-applied brackets.

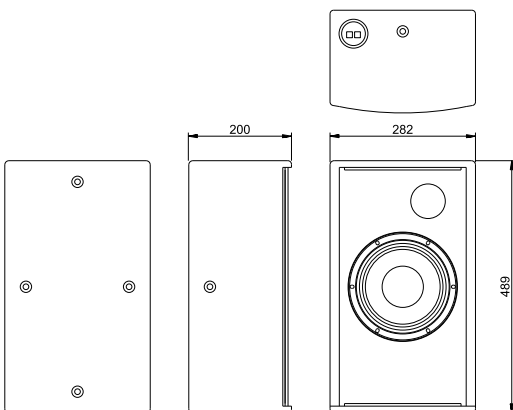
For full system performance, CCS8 is to be used in combination with an ALC amplified controller. Driven by the ALC, the CCS8 delivers maximum sound quality and output power with inaudible (power and excursion) protection .

## technical specifications CCS8

### dimensional drawing



CCS8



CCS8S

### technical specifications

Frequency response	74 Hz. – 20.000 Hz (+/- 3 dB)
Sensitivity nominal	95 dB (200 Hz – 10 kHz)
Nominal impedance	8 ohms
Recommended drive	Sentinel3 min.
Nominal SPL peak	125 dB
Dispersion H x V	90° conical

### physical specifications

System	2-way, full-range	
Filtering	passive	
Drivers LF	1x AMB8, vented	
Drivers HF	1x ACD1 compression driver, co-axially mounted	
Connectors	spring-loaded terminals	
Physical dimensions	mm	inches
Height	489	19.3
Width	282	11.1
Depth	236, 200 (S)	9.3, 7.9 (S)
Weight (approx.)	11 kg	24.3 lb
Warranty	6 years limited	

A: Alcons Audio  
De Corantijn 10  
1689 AP ZWAAG  
The Netherlands

E: [info@alconsaudio.com](mailto:info@alconsaudio.com)  
W: [www.alconsaudio.com](http://www.alconsaudio.com)  
T: +31 (0)229 28 30 90