



technical specifications CCS6

general

- 6.5" woofer with 1" compression driver in co-axial configuration
- High power handling; 165 W continuous (AES)
- 90° conical dispersion
- Very shallow cabinet design
- Available in 2 different versions CCS6, CCS6S
- Ideal for immersive ceiling surround or acoustical enhancement systems



description

The CCS6 is a passive-filtered 2-way full range loudspeaker, designed for multi-channel acoustical enhancement and (immersive) surround applications. The CCS6 features a 6.5" high quality, bass-reflex-loaded woofer with a 2" voice-coil, placed in an optimally-tuned cabinet for extended low-frequency response.

The high-frequencies are taken care of by a 1" compression-driver coaxially mounted on the woofer.

A high-quality passive 2-way crossover network matches the two components, allowing 165 W of continuous (AES) power input, making the CCS6 deliver exceptional performance from a very compact sized system.

The coaxial speaker arrangement creates a true point-source catering for a very smooth LF/HF blending in all directions, both on-axis as well as off-axis. This is an ideal solution in ceiling-mounted surround applications.

The 15-degree slanted baffle design (CCS6) provides for a low profile in wall mounted applications. The enclosure design matches the Alcons surround aesthetics. Even in an assembled surround configuration of different systems, there's a consistent, unobtrusive appearance.

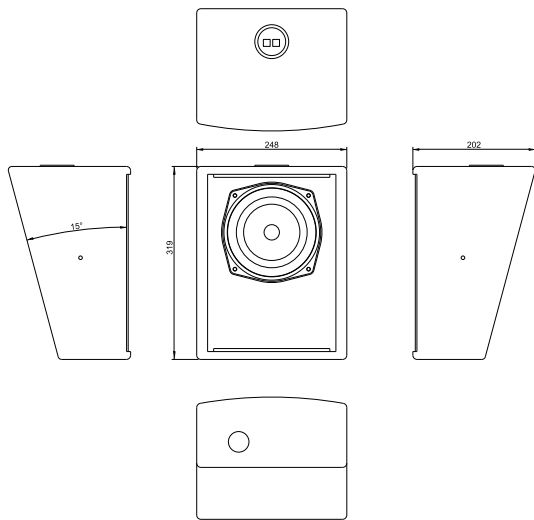
The CCS6 is also available with a straight, non-slanted ultra-shallow cabinet for ceiling-mounted applications (or when pre-tilt is not required) as CCS6S, with absolute minimal mounting depth.

Multiple options are provided for ceiling and wall mounting; The CCS6 can be wall-mounted with the BRKCS6 tilt U-bracket or wall- and ceiling mounted with most commonly-applied brackets.

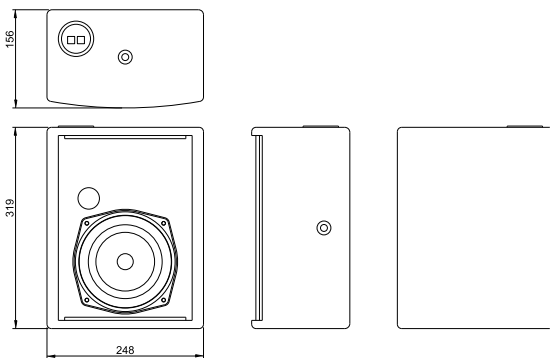
For full system performance, CCS6 is to be used in combination with an ALC amplified controller. Driven by the ALC, the CCS6 delivers maximum sound quality and output power with inaudible (power and excursion) protection.

technical specifications CCS6

dimensional drawing



CCS6



CCS6S

technical specifications

Frequency response	75 Hz - 20 kHz	(+/- 3 dB)
	61 Hz -	(+/-10 dB)
Sensitivity nominal	103 dB (200 Hz - 10 kHz)	
Nominal impedance	8 ohms	
Recommended drive	Sentinel3 min., max. 3 pce. per channel (2.7 ohms)	
Nominal SPL peak	129 dB Sentinel3 (200 Hz - 10 kHz)	
	134 dB Sentinel10 (200 Hz - 10 kHz)	
Dispersion H x V	90° conical (nom.)	

physical specifications

System	2-way, full-range	
Filtering	passive	
Drivers LF	1x AMB6-8, vented	
Drivers HF	1x ACD1 compression driver, co-axially mounted	
Connectors	spring-loaded terminals	
Physical dimensions	mm	inches
Height	319	12.6
Width	248	9.8
Depth	202, 156 (S)	8.0, 6.1 (S)
Weight (approx.)	5.1 kg	
Warranty	6 years limited	

A: Alcons Audio
De Corantijn 10
1689 AP ZWAAG
The Netherlands

E: info@alconsaudio.com
W: www.alconsaudio.com
T: +31 (0)229 28 30 90