



technical specifications CB151sl

general

- Single 15" long-excursion woofer with 4 ohms impedance
- Lowest usable frequency 19Hz
- Signal Integrity Sensing™ pre-wired cable compensation
- Space-economic design, only 8.5"/21.7cm deep
- Large, side-placed vents for improved flow capacity without moving the screen
- Also available in "Front-Vent" version for baffle-wall mounting



description

The CB151sl is a compact, direct-radiating subwoofer system for demanding cinema applications, delivering tight and accurate bass and sub response with very low distortion.

It is designed to meet all requirements of current and future (Digital) Cinema sound formats.

The direct-radiating 15" long excursion woofer with large, 4" voice-coil is mounted in an optimally vented chamber, with a large bass reflex port for excellent breathing capacity, increasing overall output while minimising port-compression. Specific attention has been paid to obtain a linear response in the operating bandwidth, while handling low frequency transients with maximum control.

The 4 ohms impedance offers maximum amplifier efficiency.

The ultra-slim enclosure design provides for stacking, flying or wall-mounting; For this, the cabinet is equipped with M10 mounting points. The side-oriented reflex vent enables the cabinet to be closely mounted behind the screen without chance of screen resonance. The CB151sl is also available with front-venting for in-wall baffle mounting ("FV" version).

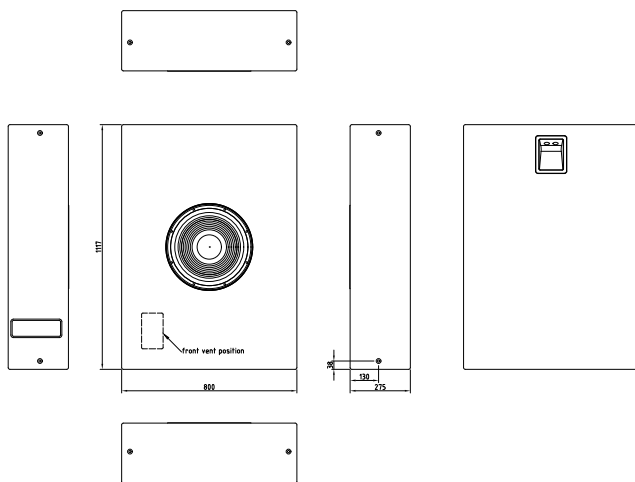
For full system performance, the CB151sl is to be driven and controlled by the ALC amplified loudspeaker controller; Driven by the ALC, the CB151sl delivers maximum sound quality and output power with long-term operation reliability. The integrated factory presets in the drive processor of the ALC offer gain, phase and filtering matching.

The Signal Integrity Sensing™ pre-wiring ensures complete cable/connector compensation between the CB151sl and the ALC amplified loudspeaker controller, significantly increasing response accuracy, regardless of cable length and system impedance. Especially with the cinema-typical long speaker cable runs and the subwoofer system's possible low impedance, the effect is remarkable, resulting in really tight and accurate reproduction for even the lowest octaves. Due to its form factor, the CB151sl is designed as low

frequency extension in small-to-medium cinema systems, but is also the ideal choice for the Rear-Subwoofer channel in immersive surround systems.

technical specifications CB151sl

dimensional drawing



technical specifications

Frequency response	27 Hz - (+/- 3 dB)
	19 Hz - (+/- 10 dB)
100 dB SPL boundary frequency	19 Hz
Sensitivity nominal	94 dB (40 Hz – 100 Hz)
Nominal impedance	4 ohms
Recommended drive	Sentinel3 min., max. 1 pce. per channel (4 ohms)
Nominal SPL peak	122 dB (Sentinel3 40 Hz – 100 Hz) 127 dB (Sentinel10 40 Hz – 100 Hz)
Dispersion H x V	omni

physical specifications

System	subwoofer, front-loaded	
Drivers LF	1x AW15.4-4 15", side-vented	
Connectors	2x Speakon NL4 input/link	
Physical dimensions	mm	inches
Height	1117	44.0
Width	800	31.5
Depth	275	10.8
Weight (approx.)	kg	lb
	67	147,7
Warranty	6 years limited	

A: Alcons Audio
De Corantijn 10
1689 AP ZWAAG
The Netherlands

E: info@alconsaudio.com
W: www.alconsaudio.com
T: +31 (0)229 28 30 90