



## technical specifications CRMSC-SRIW/120

### general

- Reference-quality high-resolution audio ready immersive sound system
- Unique voicing match with Alcons pro-ribbon loaded screen systems
- 1:1 non-compressed sound reproduction, with up to 90% less distortion
- RBN202 pro-ribbon HF driver with exceptional intelligibility and dynamic output
- SIS pre-wired for very high damping and further reduced distortion (with ALC)
- Very wide horizontal and vertical dispersion for extended coverage



### description

The CRMSC-SRIW/120 system is a 2-way passive-filtered full range loudspeaker, designed to meet all requirements of current and future immersive sound formats.

Featuring the patented Alcons pro-ribbon driver technology, the CRMSC-SRIW/120 surround combines an exceptional clarity and intelligibility with an unusually high dynamic range, offering the most realistic linear sound reproduction possible at any SPL.

The CRMSC-SRIW/120 system consists of one RBN202 pro-ribbon driver for HF and a vented 6.5" mid-bass for LF reproduction; the HF section has a 500 W peak power input, enabling a 1:16 dynamic range with up to 90% less distortion from 1 kHz to beyond 20 kHz.

The patented 120-degrees and patent-pending 90-degrees dispersion up to the highest frequencies not only offers a very wide and coherent direct-field coverage, it also guarantees a consistent reflected diffuse-field.

By utilizing identical MHF components within the CRMSC range, a perfect voicing matching between each screen- and surround system is realized, resulting in an exceptionally wide and uniform sound stage throughout the entire listening area.

The revolvable RBN waveguide and ultra-shallow enclosure of 100 mm / 3.9-in provides for easy, low profile in-wall or on-wall mounting in typical "2-by-4" wall constructions. An optional grill and ACO™ color option is available as well.

For full system performance, the CRMSC-SRIW/120 needs to be driven by an ALC controller-amplifier, delivering maximum sound quality with increased headroom and utmost operation reliability.

The CRMSC-SRIW/120 is available with 4 or 8 ohms impedance, for maximum amplifier efficiency in serial-connected (5.1/7.1) or individually-amplified (immersive) surround systems.

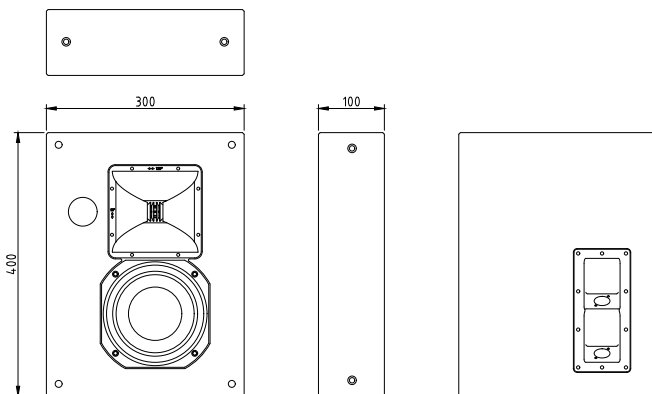
The Signal Integrity Sensing™ pre-wiring ensures complete cable/connector compensation between the CRMSC-SRIW/120 and ALC, significantly increasing response accuracy, regardless of cable length and system impedance, with tight and accurate mid and bass response as result.

The CRMSC-SRIW/120 is developed as an ultra-compact reference main / screen system - or compact surround system in immersive sound-for-picture applications. It can also be used as full-range sound system in any installed audio application, where a very high quality sound reproduction with inconspicuous in-wall or on-wall mounting is required.

As a result of Alcons' tight manufacturing standards, all system cabinets are within "matched pair" tolerance.

## technical specifications CRMSC-SRIW/120

### dimensional drawing



### technical specifications

Frequency response	74 Hz - 20.000 Hz	(+/- 3 dB)
	53 Hz -	(+/- 10 dB)
Sensitivity nominal	95 dB (8 ohms, 200 Hz - 10 kHz)	
	94 dB (4 ohms, 200 Hz - 10 kHz)	
Nominal impedance	4 ohms or 8 ohms	
Recommended drive	Sentinel3 min., max. 3 pcs (8 ohms)	
	1 pce (4 ohms) per channel (2.7 ohms / 4 ohms)	
Nominal SPL peak	121 dB (Sentinel3 8 ohms 200 Hz - 10 kHz)	
	123 dB (Sentinel3 4 ohms 200 Hz - 10 kHz)	
	127 dB (Sentinel10 8 ohms 200 Hz - 10 kHz)	
	128 dB (Sentinel10 4 ohms 200 Hz - 10 kHz)	
Dispersion H x V	120° x 90° or 90° x 120° (@ 20 kHz)	

### physical specifications

System	2-way, full-range		
Filtering	passive		
Drivers LF	1x AMB6.5 6.5", vented		
Drivers HF	1x RBN202rs 2" pro-ribbon driver		
Connectors	2x Speakon NL4 input/link		
Physical dimensions	mm	inches	
	Height	400	15.7
	Width	300	11.7
Depth	100	3.9	
Weight (approx.)	kg	lb	
	6.3	13.9	
Warranty	6 years limited		

A: Alcons Audio  
De Corantijn 10  
1689 AP, ZWAAG  
The Netherlands

E: info@alconsaudio.com  
W: www.alconsaudio.com  
T: +31 (0)229 28 30 90