



technical specifications CR1

general

- RBN401 pro-ribbon HF driver with exceptional intelligibility and high SPL output
- Ultra-shallow enclosure (18 cm/7 in) for space economic mounting
- Extended headroom/SPL and protection in combination with SDP modules (with ALC)
- SIS pre-wired for very high damping and further reduced distortion (with ALC)
- 'Real-90' dispersion H 90° x V 40°
- Single-amp filtering for economical powering



description

The CR1 is an ultra-compact 3-way sound system, designed to meet all requirements (and more!) of all current and future (digital) cinema sound formats.

Featuring the RBN401 multiple-patented pro-ribbon driver, a 6.5" Neodymium, reflex-loaded mid-range driver and a vented 12" Neodymium woofer, the CR1 is ideal for applications where medium output, high quality cinema sound reproduction is needed. It is recommended for up to 100 seat theatres, screening rooms, board-rooms, etc.

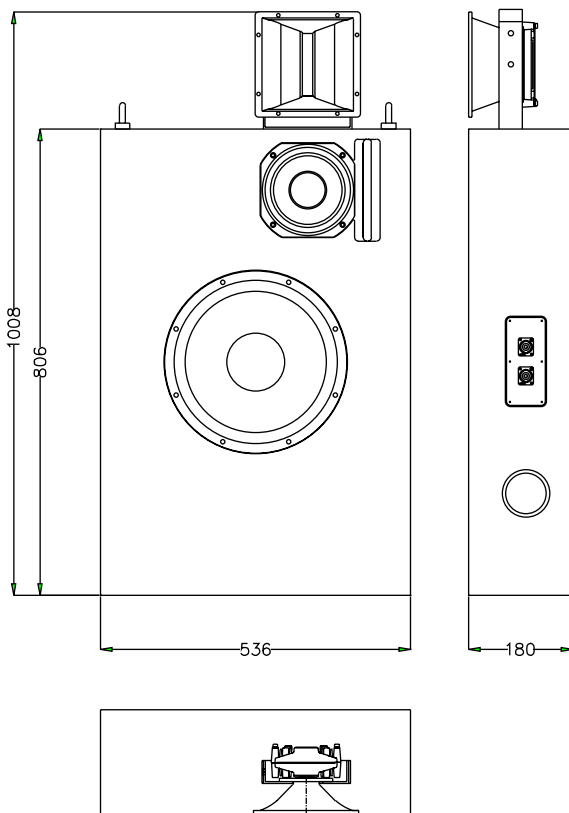
The system includes dedicated filtering, with external system equalizing (electronically) fully utilizing the individual speaker components' power

capacity. This results in increased headroom SPL. The SIS pre-wiring ensures complete (long!) cable/connector compensation between CR1 and ALC, significantly increasing response accuracy.

The ultra-shallow enclosure design of only 18cm/7-in. (industry's most shallow 3-way system!) provides for very flexible mounting in even the smallest spaces behind the screen. The shape also enables semi-flush wall-mounting.

For full system performance, we strongly recommend using the CR1 in combination with an ALC amplifier/controller. Driven by the ALC, the CR1 delivers maximum sound quality with increased headroom under dedicated equalisation and inaudible (power and excursion) protection (SDP circuit).

dimensional drawing



technical specifications

Frequency Response	
+/- 3 dB	45 Hz - 20.000 Hz
+/- 10 dB	36 Hz
Sensitivity (SPL 1W/M)	95 dB
Sensitivity nominal	97 dB*
Nominal Impedance	4 ohms
Maximum power RMS	450 W (AES)
Maximum peak power	1500 W
SPL program / peak (nom.)	123.5 / 128.5 dB*
Dispersion H x V	90° x 40° (nom.)

* with SDP electronic system equalisation of ALC controller/amplifier

physical specifications

System	3-way, full-range	
Filtering	passive	
Driver LF	1 x AW12.3ND 12", vented	
Driver MF	1 x AM65ND 6.5", vented	
Driver HF	1 x RBN401 4" pro-ribbon driver	
Cross-over frequencies	300 Hz / 1200 Hz	
Connectors	2 x Speakon NL4 input	
Physical dimensions	mm	in
Height	1008	40.0
Width	536	21.1
Depth	180	7.09
Weight (approx.)	29,8 kg	(65.6 lb)
Warranty	6 years limited	

A: Alcons Audio B.V.
De Corantijn 69
1689 AN Zwaag
The Netherlands

E: info@alconsaudio.com
W: www.alconsaudio.com
T: +31 (0)229 28 30 90
F: +31 (0)229 28 30 99